



ZODIAC INTERNATIONAL
2, Rue Maurice Mallet - 92130 ISSY Les
MOULINEAUX France
Fax : +33.1.41.23.23.98.
Phone : +33.1.41.23.23.23
E-mail : solassales@zodiac.com



LIFEBOARD®
Patented design

LIFEBOARD®

Distributed by ZODIAC

AN EFFECTIVE LIFE SAVING APPLIANCE FOR SEA RESCUE

SURVIVAL MODE

- Can maintain 4 to 5 persons afloat.
- 370 mm of water clearance to the mouth when used "on elbows"
- Retrieval of an unconscious victim
- Great hypothermia protection



RESCUE MODE

- Quick and almost effortless recovery of a person in difficulty
- Possibility of surfing a wave
- Used as a rescue sled with PWC's

RETRIEVAL MODE

The lifeboard is thrown to the person at the sea with a rope to the rescue vessel. This allows the ship to continue under a controlled speed, hence maintaining a good stability in difficult sea conditions or drift. If the person is conscious, he can be safely towed before hoisting onboard, thanks to a unique system of integrated ropes and handles. The lifeboard allows a diver to attach an unconscious person to the lifeboard, to be vertically lifted on board.

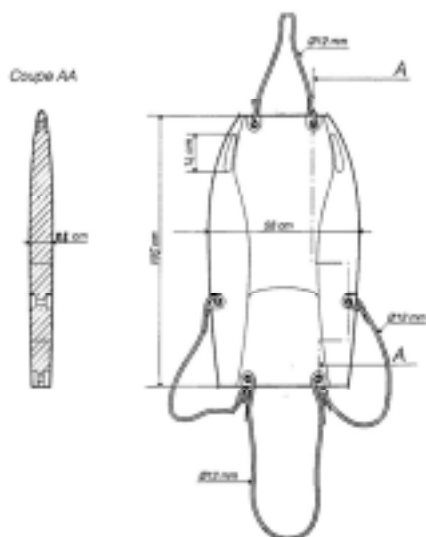




ZODIAC INTERNATIONAL
 2, Rue Maurice Mallet - 92130 ISSY Les
 MOULINEAUX France
 Fax : +33.1.41.23.23.98.
 Phone : +33.1.41.23.23.23
 E-mail : solassales@zodiac.com



LIFEBOARD®
 Patented design



TECHNICAL CHARACTERISTICS

Displacement	36,5 liters
Material	UV Stabilized, recyclable Polyethylene
Reflective material	500 cm² Solas DOT
Dimensions	105 x 58 x 8,5 cm
Weight	4,5 kg
Life line	Polyester Ø10 mm
ADDITIONAL EQUIPMENT	
- 1 SOLAS Bag with the towing line of 50 m and Ø 10 mm	2 kg
- 1 hook	
- 2 latching fixing saddles	
- 1 latching strap with 2 snap hooks.	
- Packaging cardboard	120 x 60 x 10 cm – 900 g
- Kit Solas weight	8,05 Kg

Authorised or on approval as lifebuoy by :

Safety Board tested Lifebuoy Solas	Safety Board Marine Marchande (Fr) N° BV – 11261/MMF	Maritime and Coastguard Agency (UK)
USMSA	USCG USA	CCG Canada