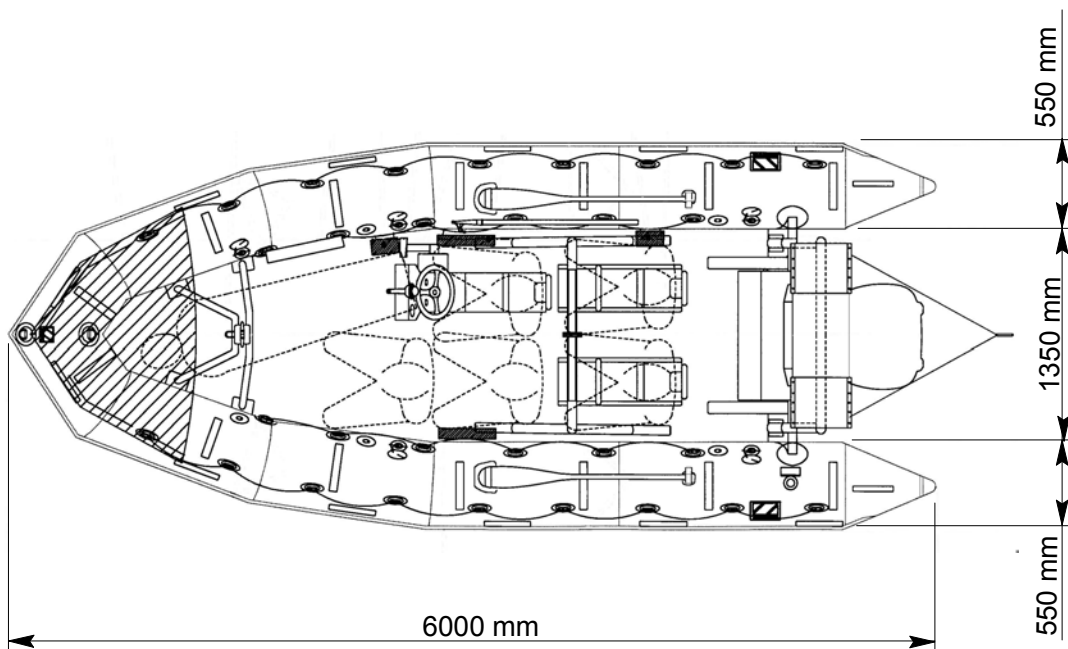
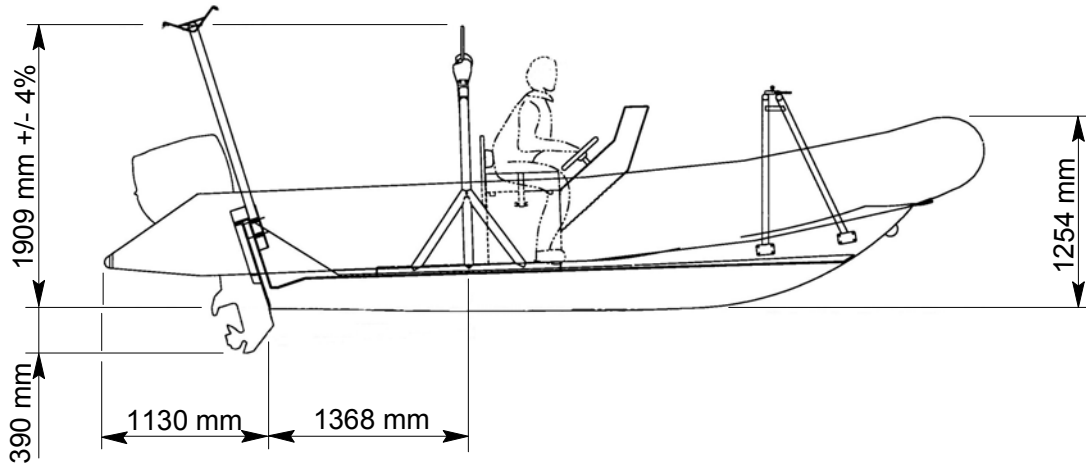


RESCUE BOAT FRB 600 FRAME



Overall dimensions with lifting, righting and towing systems

FRB 600 frame 07042011 KLT.doc

Issue: 5

Date: 07/04/211

Dimensions and weight +/- 5%
SURVITEC SAS reserves the right to change specification without notice.
For installation, add minimum +10mm for clearance to dimensions of the container.

CAPACITY					
Number of persons: 6			Buoyancy volume: 2600 l / 92 cft		
DIMENSIONS					
Length		Width		Buoyancy diameter	
Overall	Inside	Overall	Inside	0.550 m / 22"	
6 m / 19'08"	4.47 m / 14'08"	2.45 m / 8'	1.35 m / 4'05"		
SAFETY / INFLATION					
. 5 airtight compartments		. 5 inflation valves		. 5 overpressure valves	
WEIGHT					
With equipment & batteries		With equipment, engine (120 CV) & fuel		Operational weight with 6 passengers (120 CV)	
700 kg / 1543 lbs		995 kg / 2194 lbs		1490 kg / 3284 lbs	
ENGINE					
Shaft length		Engine power		Fuel tanks	
long		70 CV 52 kw	120 CV 90 kw	2 x 70 l 2 x 18.5 l USCG	
. Fuel tanks integrated in crew seats		. Water separator (2)		. 3 way valve to switch fuel tank or shut-off fuel line	
ELECTRICAL SYSTEM					
. Dry batteries (2, no acid)		. Battery switch		. Battery charger (1.48 V AC)	
TOWING					
. Bow towing post + onload release shackle		. 1 aft towing V with snap hook		. 2 towing points on transom	
OPTIONS					
<ul style="list-style-type: none"> . Release hook: SWL ≥ 1500 kg . Engine: Tohatsu M70C EPTOL SOLAS - Maximum towing force 410 daN . Propeller pitch: 3 x 289 x 355 					

FRB 600 frame 07042011 KLT.doc

Issue: 5

Date: 07/04/211

Dimensions and weight +/- 5%
SURVITEC SAS reserves the right to change specification without notice.
For installation, add minimum +10mm for clearance to dimensions of the container.

FABRIC			
. Neoprene orange fabric		. Buoyancy	
. Reflective tapes		. Peripheral rubbing strake	
HULL			
. GRP composite rigid orange hull		. Reflective tapes	
. 1 hull drain			
TRANSOM			
. 2 self bailers		. Aluminium transom well	
. Engine aluminium mounting plate		. Engine wooden plate	
HANDLING			
. 2 inside lifelines		. 1 peripheral outside lifeline	. 2 paddles' supports
SELF RIGHTING SYSTEM			
. Self righting frame on transom		. Self righting buoyancy	. CO ² /N ² inflation system
HOISTING			
. Single point lifting frame			
CONSOLE / SEATING			
. Steering console		. 1 pilot jockey seat	. 1 crew jockey seat + handles (2 persons)
EQUIPMENT FIXED TO THE RESCUE BOAT			
. 50m line	. Rescue quoits (2)	. Boarding ladder	. Boat hook
. Paddles (2)	. Flashing light	. Radar reflector	. Bow cover
OTHER EQUIPMENT			
. Compass	. Whistle	. Bailer	. Pump
. Sponge (2)	. Sea anchor	. Repair kit	. Manual
. First aid kit	. Floating knife	. Fire extinguisher	. Equipment bag
. Overall cover	. Electrical torch	. Torch spare bulb & batteries	
. Search light	. Thermal protective aid (2)		

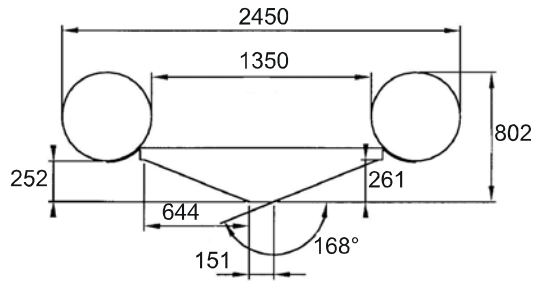
FRB 600 frame 07042011 KLT.doc

Issue: 5

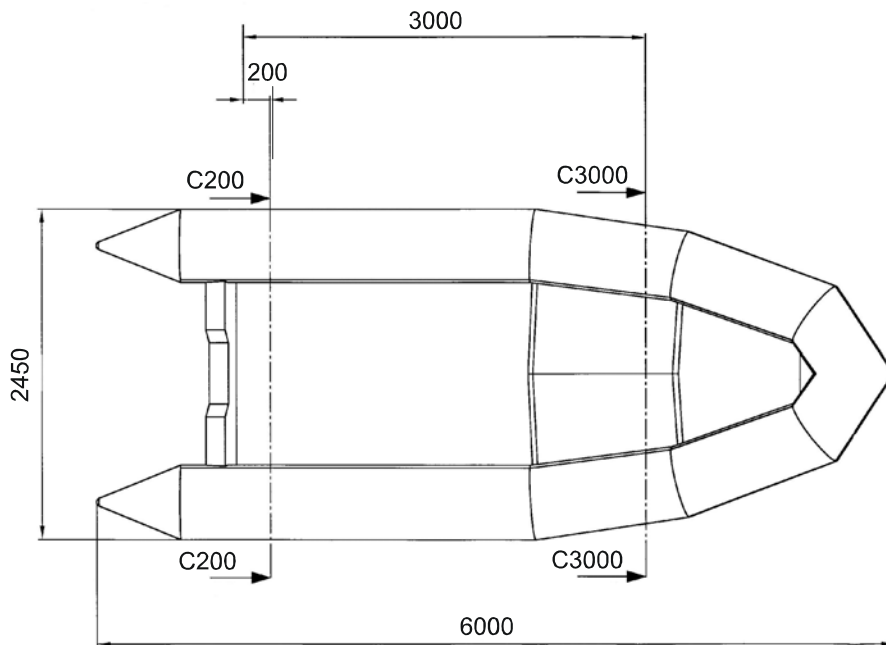
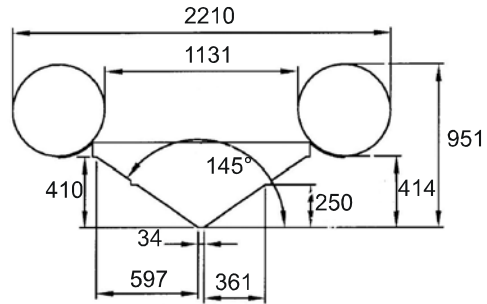
Date: 07/04/211

Dimensions and weight +/- 5%
SURVITEC SAS reserves the right to change specification without notice.
For installation, add minimum +10mm for clearance to dimensions of the container.

COUPE / CUT
C200 - C200



COUPE / CUT
C3000 - C3000

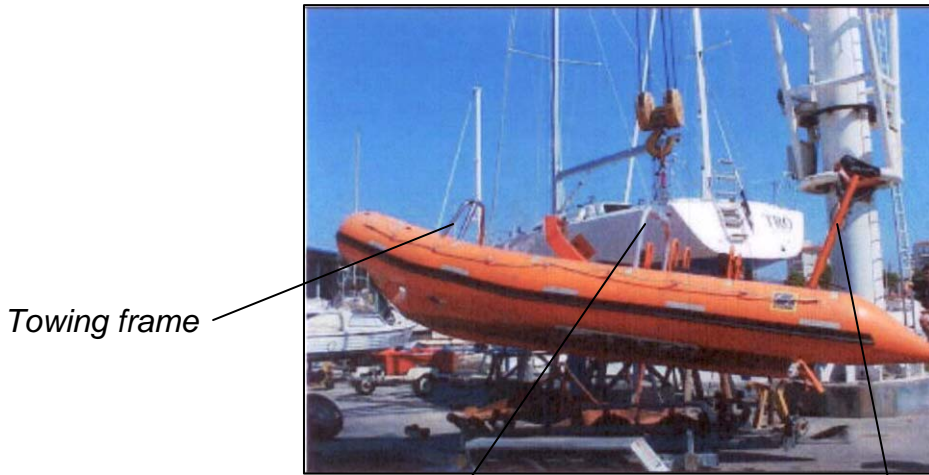


Hull profile

FRB 600 frame 07042011 KLT.doc	Issue: 5	Date: 07/04/211
--------------------------------	----------	-----------------

Dimensions and weight +/- 5%
SURVITEC SAS reserves the right to change specification without notice.
For installation, add minimum +10mm for clearance to dimensions of the container.

FRB 600



Towing frame



Lifting frame



Self righting system

Approvals:	EC (MED)
-------------------	-----------------

FRB 600 frame 07042011 KLT.doc	Issue: 5	Date: 07/04/211
--------------------------------	----------	-----------------

Dimensions and weight +/- 5%
SURVITEC SAS reserves the right to change specification without notice.
For installation, add minimum +10mm for clearance to dimensions of the container.