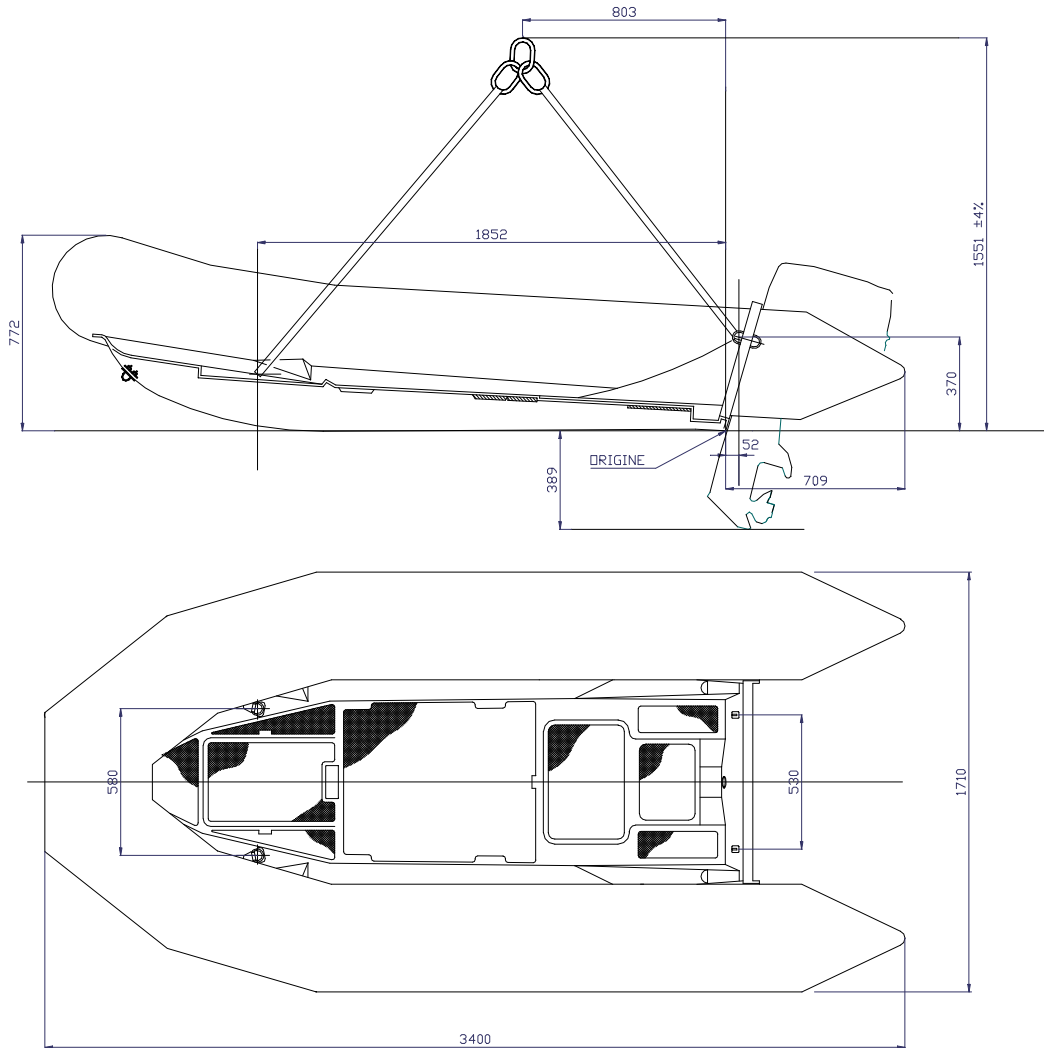


RESCUE BOAT RIBO 340 P SLING



Overall dimensions with lifting sling

RIBO 340 Neo 07042011 KLT.doc	Issue: 5	Date: 07/04/2011
-------------------------------	----------	------------------

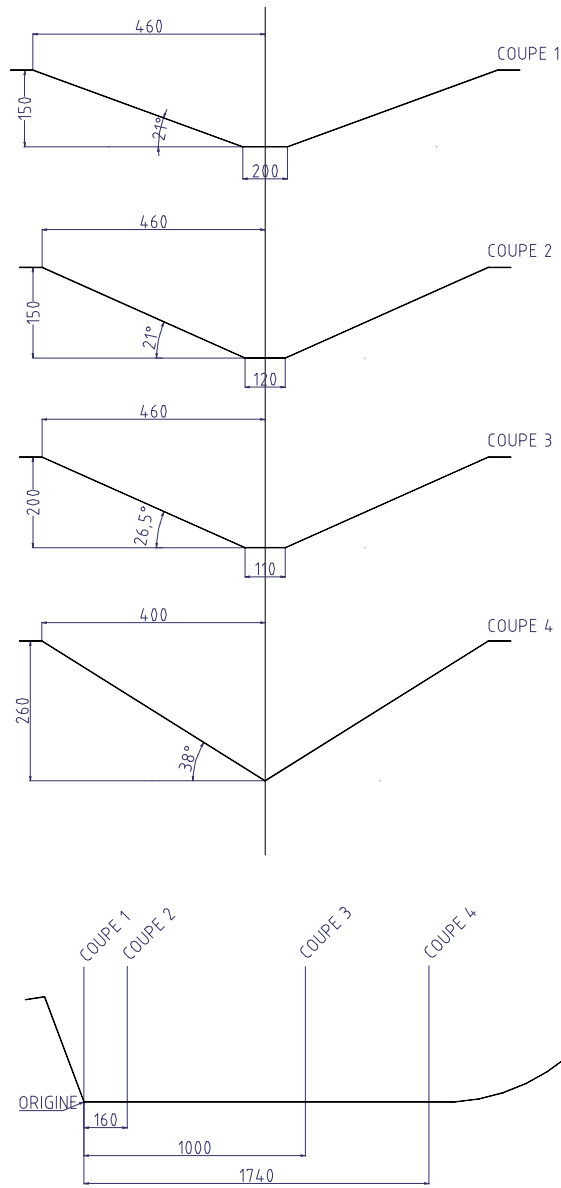
Dimensions and weight +/- 5%
 SURVITEC SAS reserves the right to change specification without notice.
 For installation, add minimum +10mm for clearance to dimensions of the container.

CAPACITY				
Number of persons: 5			Buoyancy volume: 1060 l / 32.5 cft	
DIMENSIONS				
Length		Width		Buoyancy diameter
Overall	Inside	Overall	Inside	0.450 m / 1'6"
3.40 m / 11'2"	2.30 m / 7'7"	1.71 m / 5'7"	0.80 m / 2'8"	
SAFETY / INFLATION				
. 5 airtight compartments		. 5 inflation valves		. 5 overpressure valves
WEIGHT				
With equipment & batteries		With equipment, engine (25 CV) & fuel		Operational weight with passengers (25 CV)
120 kg / 264 lbs		220 kg / 484 lbs		632 kg / 1393 lbs
ENGINE				
Shaft length		Engine power		Fuel tanks
long		25 CV 19 kw		2 x 25 l 2 x 6.6 l USCG
TOWING				
. 2 bow towing rings on hull		. 1 bow towing V with on load release shackle		
. 2 towing points on transom		. 1 aft towing V with snap hook		
HOISTING				
. 2 bow lifting points		. 2 aft lifting points on transom		. 1 lifting sling
OPTIONS				
. Release hook: SWL ≥ 600 kg		. Overall cover		
. Engine: Tohatsu M25C3 L SOLAS - Maximum towing force: 150 daN				
. Propeller pitch: 3 x 252 x 332				

RIBO 340 Neo 07042011 KLT.doc	Issue: 5	Date: 07/04/2011
-------------------------------	----------	------------------

Dimensions and weight +/- 5%
 SURVITEC SAS reserves the right to change specification without notice.
 For installation, add minimum +10mm for clearance to dimensions of the container.

FABRIC			
. Neoprene fabric		. Buoyancy	
. Reflective tapes		. Peripheral rubbing strake	
HULL			
. GRP composite rigid orange hull		. Reflective tapes	
. 1 hull drain			
TRANSOM			
. 1 self bailer		. Engine aluminium mounting plate + wooden plate	
HANDLING			
. 2 inside lifelines		. 2 outside lifelines	
. 2 paddles' supports			
SEATING			
. 1 fixed bench		. 1 tiltable bench	
EQUIPMENT FIXED TO THE RESCUE BOAT			
. 50m line	. Righting lines (2)	. Rescue quoits (2)	. Boarding ladder
. Boat hook	. Paddles (2)	. Flashing light	. Radar reflector
. Removable bow cover			
OTHER EQUIPMENT			
. Compass	. Whistle	. Bailer	. Pump
. Sponge (2)	. Sea anchor	. Repair kit	. Manual
. First aid kit	. Floating knife	. Fire extinguisher	. Equipment bag
. Search light	. Electrical torch	. Torch spare bulb & batteries	
. Thermal protective aid (2)			



Hull profile

Approvals:	BV – TC
-------------------	----------------

RIBO 340 Neo 07042011 KLT.doc	Issue: 5	Date: 07/04/2011
-------------------------------	----------	------------------

Dimensions and weight +/- 5%
 SURVITEC SAS reserves the right to change specification without notice.
 For installation, add minimum +10mm for clearance to dimensions of the container.