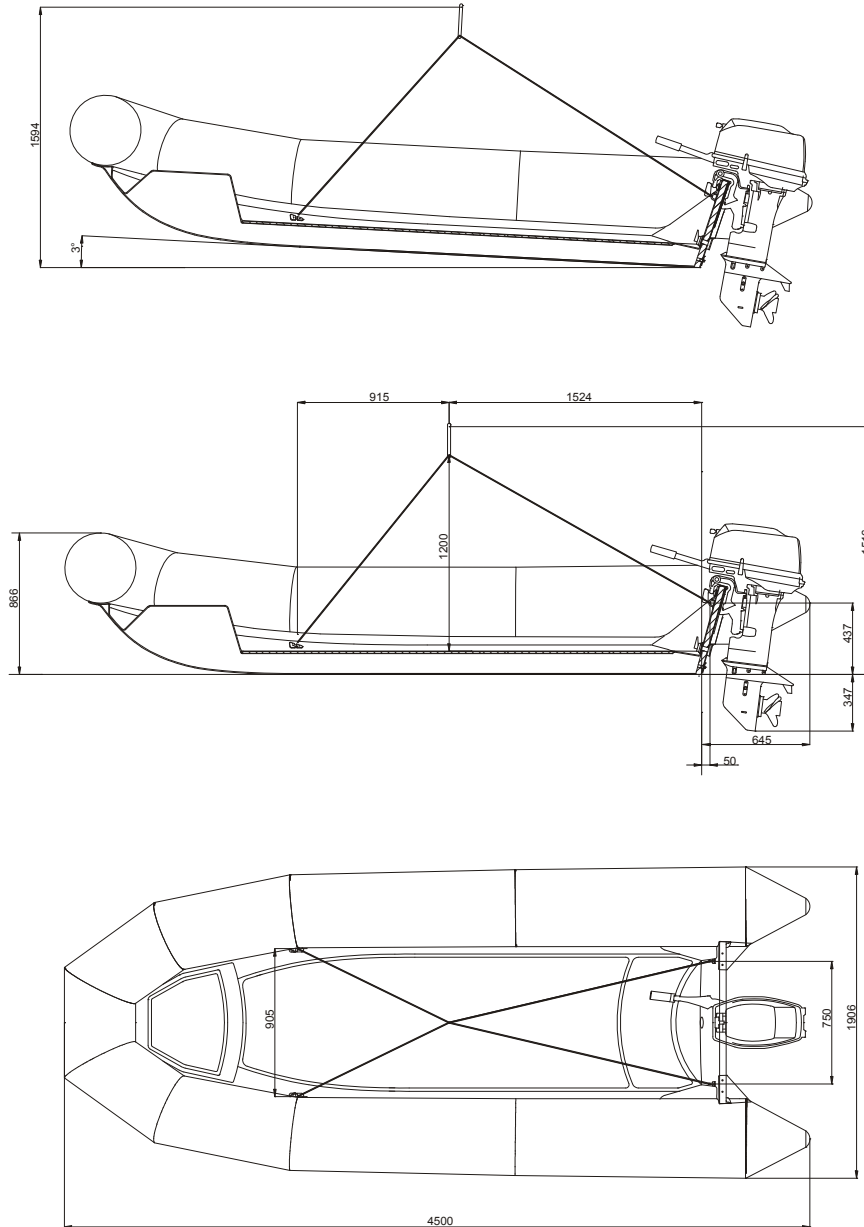




RESCUE BOAT RIBO 450 P SLING



Overall dimensions with lifting sling



FABRIC			
. Neoprene orange fabric	. Buoyancy		
. Reflective tapes	. Peripheral rubbing strake		
HULL			
. GRP composite rigid orange hull	. Reflective tapes		
. 1 hull drain			
TRANSOM			
. 1 self bailer	. Engine aluminium mounting plate + wooden plate		
HANDLING			
. Inside lifeline (4.7m)	. Outside lifeline (12.1m)		
SEATING			
. 2 fixed benches		. 1 tilting bench	
EQUIPMENT FIXED TO THE RESCUE BOAT			
. 50m line	. Righting lines (2)	. Rescue quoits (2)	. Boarding ladder
. Boat hook	. Paddles (2)	. Positioning light	. Radar reflector
. Towing line (50m)			
OTHER EQUIPMENT			
. Compass	. Whistle	. Bailer	. Pump
. Sponge (2)	. Sea anchor	. Repair kit	. Manual
. First aid kit	. Floating knife	. Fire extinguisher	. Equipment bag
. Search light *	. Electrical torch	. Telescopic paddles	. Battery box
. Thermal protective aid (2)	. Torch spare bulb & batteries		
* Search light battery is not provided with the boat			

Approvals:

EC (MED) - USCG

RIBO 450 Zodiac 29072010 KLT.doc

Issue: 2

Date: 29/07/2010

Dimensions and weight +/- 5% Zodiac reserves the right to change specification without notice.
For installation, add minimum +10mm for clearance to dimensions of the container.