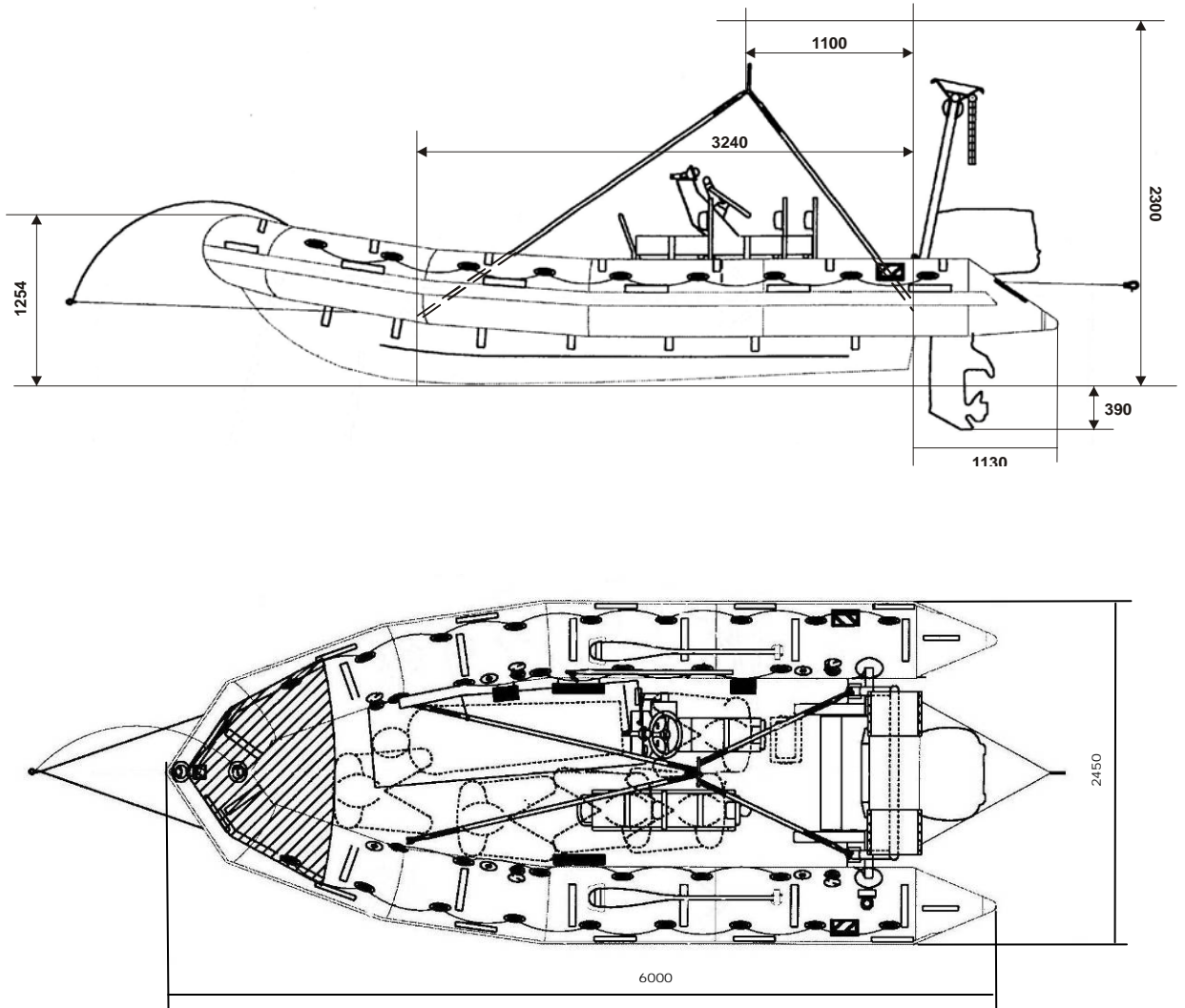


RESCUE BOAT RIBO 600 SLING



Overall dimensions with lifting system

RIBO 600 07042011 KLT.doc	Issue: 5	Date: 07/04/2011
---------------------------	----------	------------------

Dimensions and weight +/- 5%
 SURVITEC SAS reserves the right to change specification without notice.
 For installation, add minimum +10mm for clearance to dimensions of the container.

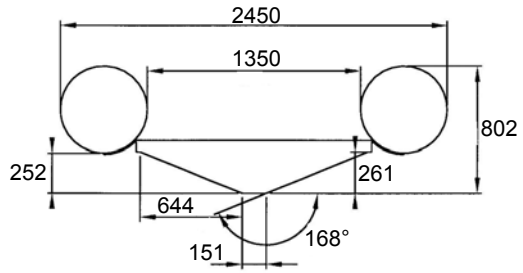
CAPACITY					
Number of persons: 6			Buoyancy volume: 2600 l / 92 cft		
DIMENSIONS					
Length		Width		Buoyancy diameter	
Overall	Inside	Overall	Inside	0.550 m / 22''	
6 m / 19'08''	4.47 m / 14'08''	2.45 m / 8'	1.35 m / 4'05''		
SAFETY / INFLATION					
. 5 airtight compartments		. 5 inflation valves		. 5 overpressure valves	
WEIGHT					
With equipment & batteries		With equipment, engine (120 CV) & fuel		Operational weight with 6 passengers (120 CV)	
494 kg / 1089 lbs		750 kg / 1653 lbs		1245 kg / 2744 lbs	
ENGINE					
Shaft length		Engine power		Fuel tank	
long		70 CV 52 kw	120 CV 90 kw	93 l 24.5 l USCG	
TOWING					
. 2 bow towing rings on hull		. 1 bow towing V with on load release shackle			
. 2 towing points on transom		. 1 aft towing V with snap hook			
HOISTING					
. 2 bow lifting points		. 2 aft lifting points on transom		. 1 lifting sling	
OPTIONS					
. Release hook: SWL ≥ 1500 kg					
. Engine: Tohatsu M70C EPTOL SOLAS - Maximum towing force: 410 daN					
. Propeller pitch: 3 x 289 x 355					

RIBO 600 07042011 KLT.doc	Issue: 5	Date: 07/04/2011
---------------------------	----------	------------------

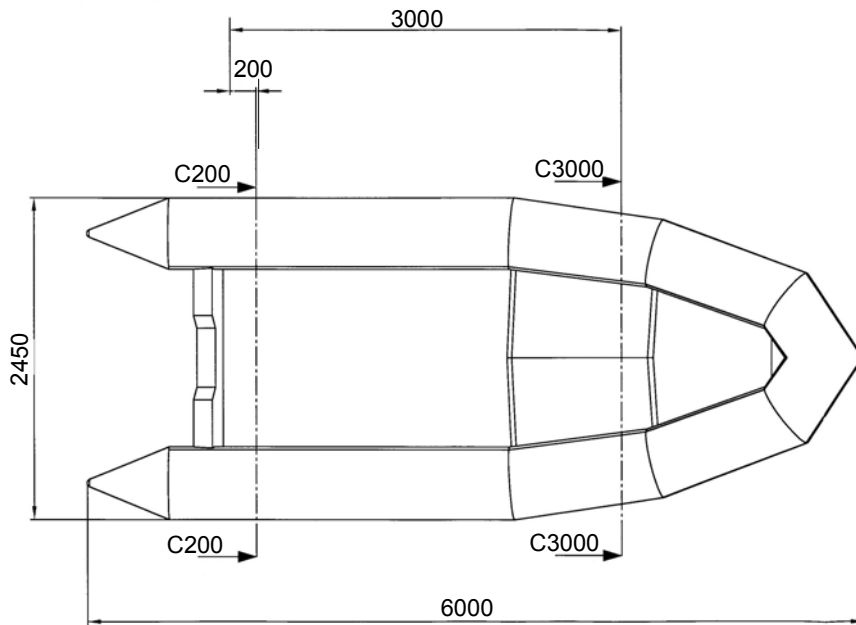
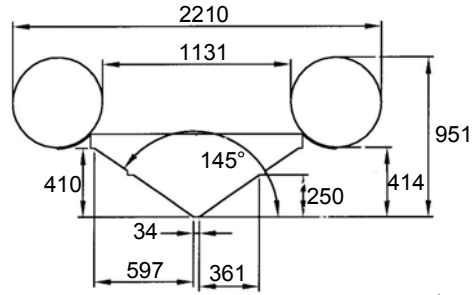
Dimensions and weight +/- 5%
SURVITEC SAS reserves the right to change specification without notice.
For installation, add minimum +10mm for clearance to dimensions of the container.

FABRIC			
. Neoprene orange fabric		. Buoyancy	
. Reflective tapes		. Peripheral rubbing strake	
HULL			
. GRP composite rigid orange hull		. Reflective tapes	
. 1 hull drain			
TRANSOM			
. 2 self bailers		. Aluminium transom well	
. Engine aluminium mounting plate		. Engine wooden plate	
HANDLING			
. 2 inside lifelines		. 1 peripheral outside lifeline	. 2 paddles' supports
SELF RIGHTING SYSTEM			
. Self righting frame on transom		. Self righting buoyancy	. CO ² /N ² inflation system
CONSOLE / SEATING			
. Steering console		. 1 pilot jockey seat	. 1 crew jockey seat + handles (2 persons)
EQUIPMENT FIXED TO THE RESCUE BOAT			
. 50m line	. Rescue quoits (2)	. Boarding ladder	. Boat hook
. Paddles (2)	. Flashing light	. Radar reflector	. Bow cover
OTHER EQUIPMENT			
. Compass	. Whistle	. Bailer	. Pump
. Sponge (2)	. Sea anchor	. Repair kit	. Manual
. First aid kit	. Floating knife	. Fire extinguisher	. Equipment bag
. Overall cover	. Electrical torch	. Torch spare bulb & batteries	
. Search light	. Thermal protective aid (2)		

COUPE / CUT
C200 - C200



COUPE / CUT
C3000 - C3000



Hull profile

Approvals:	EC – TC
-------------------	----------------

RIBO 600 07042011 KLT.doc	Issue: 5	Date: 07/04/2011
---------------------------	----------	------------------

Dimensions and weight +/- 5%
SURVITEC SAS reserves the right to change specification without notice.
For installation, add minimum +10mm for clearance to dimensions of the container.